

RAIDON



InTANK iT8776-S3

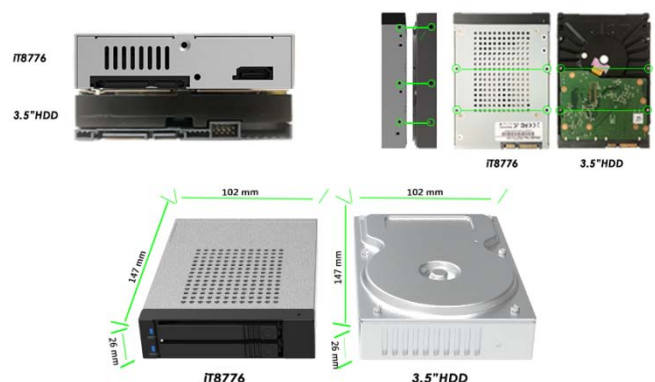
JBOD Module for 2 x M.2 SATA Solid-State-Disk (SSD)

Standard 3.5" SATA Disk Size, with M.2 Thermal Pad

iT8776 supports JBOD mode and can install two M.2 SATA Solid-State-Disk (SSD), it is a compact size like a 3.5" SATA HDD. You could use it for your tower/1U server, DVR, Mail Exchange Server, POS, ..., etc. applications. Its compact size fits into most of your systems which require the compact chassis.

The Same SATA Connector Location, Dimension, and Screw Holes as One 3.5" SATA Disk

The SATA connector's location, dimension, and screw holes of iT8776 are exactly the same as one 3.5" SATA disk. Thus, it is not necessary to install any other brackets but just install the iT8776 inside to existing PC, your system will have one independent capacity mode.



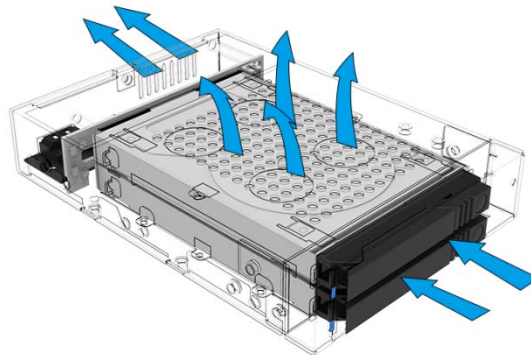
Easy-to-use Disk Tray Design

RAIDON's easy-to-use disk tray comes with key lock and secures the disk with screws. User can buy several disk trays and secured the disks first, once there is one disk in iT8776 is failure, just replace the disk directly. It can greatly reduce the wait time for system maintenance.



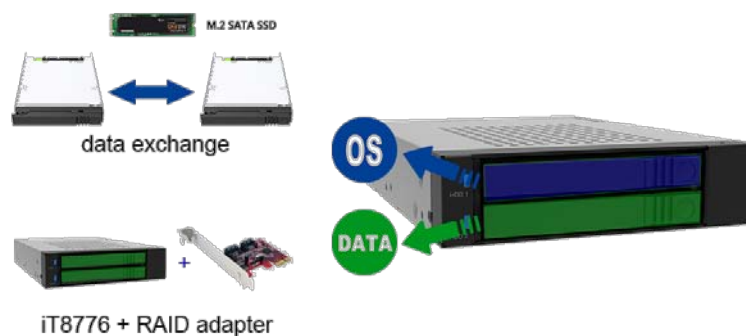
Fan-less, Cooling Hole Design

Overheat is one of the major problems to cause system failure, and causes a huge loss at the downtime period in the 24-hour full-automation production equipment. Our iT8776 has an excellent ventilation design to help dissipating the heat generated from two M.2 SATA SSDs efficiently and reduces the loss caused by system downtime.



Help Upgrading Your System with M.2 SATA SSD features

iT2776 provides JBOD feature and it lets you keep OS and DATA separately in two M.2 SATA SSDs. And you could easily upgrade it with RAID feature from installing a RAID Adapter thru SATA cable.



Product Appearance Description



- A. HDD/SSD Tray & Tray Handle
- B. Tray Key Lock & Push Open Button
- C. HDD/SSD Access LED



- D. 15-pin Power Connectors
- E. SATA Port
- F. SATA Port

Interfaces	1 x SATA III (6Gbps)
Compatible Drive	1 x M.2 SATA Solid-State-Disk (SSD)(2242/2260/2280)
Certification	CE / FCC
RAID Mode	JBOD
Operating System Support	Windows, Linux
Electrical and Operating Requirements	*Line voltage: 12V+5V, DC *Operating temperature: 0° to 40° C (32° to 104° F) *Storage temperature: -20° to 47° C (-4° to 116° F) *Relative humidity: 5% to 95%, no condensing
Size	Height: 26 mm Width: 102 mm Depth: 147 mm
Product Code	EAN : UPC :
Carton	32 pcs per carton
Package Accessories	1 x iT8776 1 x Accessory 1 x Quick Installation Guide