

料號:13-010087

品名:iR8023 快速安裝導引

版本:V1.0

材質:銅版紙150磅-十字摺-英文朝外

尺寸:210x297mm(A4)

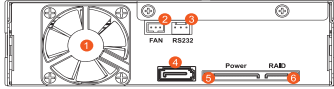
RAIDON

iR8023 快速安裝導引

產品示意圖與配件表

前視圖

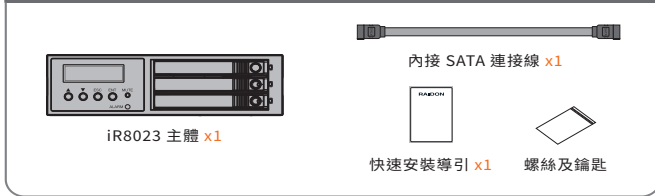
背視圖



- | | | |
|-----------------|---------------|------------------------------|
| 1. 液晶顯示面板 | 6. 電源 / 故障顯示燈 | 1. 風扇 |
| 2. 選擇鍵(UP/DOWN) | 7. 硬碟抽取盒把手 | 2. 風扇連接埠 |
| 3. 取消鍵(ESC) | 8. 頂出按鍵 | 3. RS232 連接埠 |
| 4. 確認鍵(Enter) | 9. 硬碟抽取盒鑰匙孔 | 4. SATA 7Pin 資料連接埠 (獨立硬碟) |
| 5. 靜音按鍵(MUTE) | 10. 硬碟讀寫燈 | 5. SATA 15Pin 電源輸入埠 |
| | | 6. SATA 7Pin 資料連接埠 (RAID 硬碟) |

打開包裝外盒後,包裝內容應包含下列組件:

產品配件表



- 請先確認相關配件與產品本身是否有受損或是缺少配件,若有任何疑問,請與您的經銷商或業務人員聯絡。
- 請前往官網 (www.raidon.com.tw) 下載說明書、驅動程式以及其餘相關資料。

銳銳科技

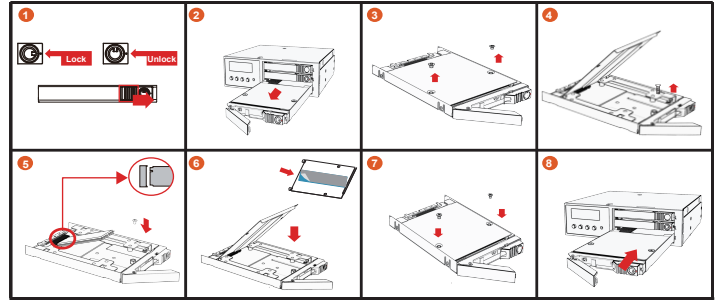
V1.0 (Nov. 2021)

1

硬體安裝

請參照以下步驟完成硬體安裝:

- 請使用零件包內附的鑰匙解鎖硬碟抽取盒,將頂出按鍵向右推移。
- 硬碟抽取盒把手會彈開,即可取出抽取盒。
- 抽出 M.2 SATA Bridge 托盤組,取下上蓋的 2 顆螺絲。
- 打開上蓋,取出螺絲。
- 插入 M.2 並鎖上螺絲。
- 撕下上蓋裡散熱片的離型紙,蓋回上蓋。
- 鎖上螺絲。
- M.2 安裝完成後請將抽取盒平移放入主機內並關上把手。
- 將產品安裝於電腦機殼上的 CD-ROM 位置,並使用配件包裡的螺絲固定,並連接 SATA 連接線與 SATA 電源線。



內接主機殼示意圖



RS232 連接埠和 RS232 連接線: 提供工控產業或 IPC 產業透過 RS232 進行硬體狀態偵測,如有需要可向銳銳銷售/客服人員 supporting@raidon.com.tw 索取相關資料。

10. 硬體安裝完成。一旦開啟電腦,您的作業系統會自動辨識所裝置好的硬碟。如果您的硬碟是必須被格式化的,請依照電腦的作業系統進行硬碟格式化步驟。當完成硬碟格式化後,硬碟便可以進行資料讀寫。

2

燈號說明

狀態	獨立硬碟指示燈	RAID 硬碟指示燈	電源 / 故障顯示燈	蜂鳴器
無硬碟	N/A	紅燈恆亮	紫燈恆亮	鳴叫
待機	藍燈恆亮	藍燈恆亮	藍燈恆亮	N/A
資料存取	藍燈閃爍	紫燈閃爍	藍燈恆亮	N/A
Rebuilding-Source	藍燈恆亮	藍燈恆亮	藍燈恆亮	N/A
Rebuilding-Target	藍燈恆亮	紅燈閃爍	藍燈恆亮	N/A
風扇故障	藍燈恆亮	藍燈恆亮	紫燈恆亮	鳴叫

LCD顯示的各種訊息

1. 開機與正常待機狀態

RAIDON RAIDbox2
RAID-1 vxxxxxx.x → Pri HDD : OK
Sec HDD : OK

2. 溫度過高 (≥50 °C)

Pri HDD : OK F
Sec HDD : OK T

4. 硬碟損毀

Pei HDD:OK
Sec HDD:FAILED → Pei HDD:FAILED
Sec HDD:OK

5. 資料重建

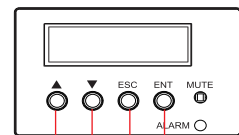
Rebuilding
Sec→Pri 32%



當「T」出現時,是代表系統過熱的警告,但是不至於影響正常資料傳輸,只要改善環境溫度,就可恢復正常。

3

前面板操作



- 進入下一層 或是 確認
 - 跳回上一層 或是 取消
- 循序選擇項目

產品使用注意事項

- 電腦或伺服器具備 SATA I、SATA II 或 SATA III 介面。
- M.2 SATA SSD 僅適用 2242/2260/2280 三種尺寸。
- 最上方的獨立硬碟無法與主、次硬碟共同設定 RAID 模式,為功能獨立的硬碟。
- 強烈建議使用 iR8023 前先設定好 RAID 模式(預設值是 RAID 1)。
- 一旦使用模式確認後,使用相同的硬碟進行模式切換將會導致資料遺失。如果需要進行模式變更,請於變更前先進行資料備份。
- 在新增或變更 RAID 模式後需重新啟動,以確保完成更新為新的 RAID 模式。
- 本系統允許使用不同廠牌的硬碟。但如果要獲得更好的效能,我們強烈建議使用相同廠牌型號的硬碟。
- 安裝硬碟前請先確認所使用的硬碟並無壞軌或是其他問題,以免導致系統損毀或資料遺失。
- 硬碟格式化後,iR8023 的總使用儲存容量或許會與硬碟容量加總後的有所不同。
- 強烈建議除了使用 iR8023 的資料儲存功能外,請針對重要資料備份到另一個儲存裝置上或遠端備份,雙重備援您重要的資料。若您儲存在 iR8023 的資料損毀或遺失,RAIDON 將不負任何的責任。

感謝您使用 銳銳科技股份有限公司 的產品。

本手冊裡的資訊在出版前雖然已經被詳細確認,但實際產品規格將已出貨時為準;任何的產品規格或相關資訊更新,請您直接上 www.RAIDON.com.tw 網站查詢,或直接與您的業務聯絡窗口聯繫,本公司將不另行通知。

如果您對 銳銳科技 的產品有任何疑問,或是想獲得最新產品訊息、使用手冊或軟體,請您聯絡 supporting@raidon.com.tw,我們將儘速回覆您。

RAIDON 為 銳銳科技股份有限公司 旗下品牌之一
本說明相關產品內容歸 銳銳科技股份有限公司 版權所有

4

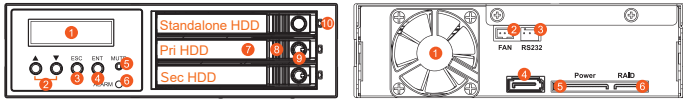
RAIDON

iR8023 Quick Setup Guide

Package Contents and Product Views

Front View

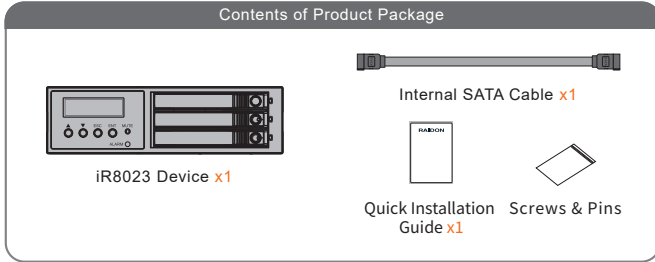
Rear View



- | | | |
|-------------------|----------------------------|--|
| 1. LCD Display | 6. Power Failure Indicator | 1. Cooling Fan |
| 2. UP/DOWN Button | 7. HDD Tray Handle | 2. 3-pin Fan Connector |
| 3. ESC Button | 8. HDD Tray Ejection | 3. RS232 Connector |
| 4. Enter Button | 9. HDD tray key lock | 4. 7-pin SATA Connector (Standalone HDD) |
| 5. MUTE Button | 10. HDD Access Indicator | 5. 15-pin Power Connector |
| | | 6. 7-pin SATA Connector (RAID HDD) |

Open the package and you should find the following:

Contents of Product Package



- Please check the product and accessories for any defect or missing parts. If you have any questions, please contact your product supplier.
- Please visit the official website - Download page (<https://www.raidon.com.tw>) to download drivers and other related resources.



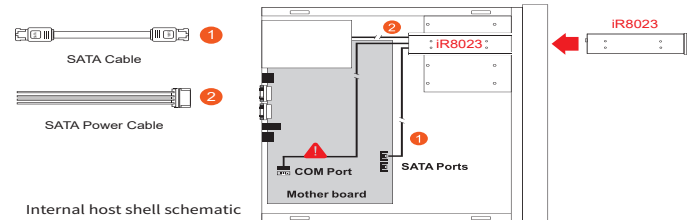
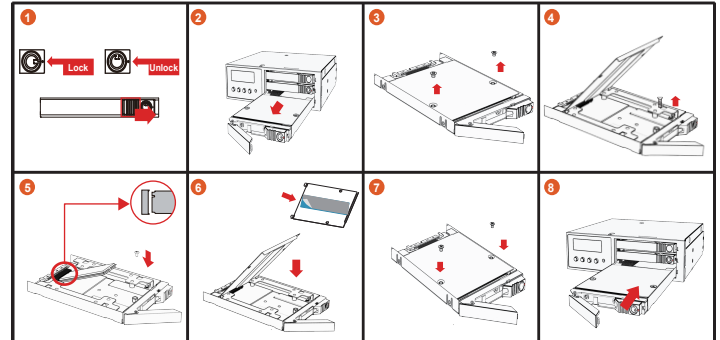
V1.0 (Nov. 2021)

1

Hardware Installation

Please install iR8023 as the following instruction.

1. Unlock the M.2 SATA Bridge Tray Key Lock and push the HDD tray ejection to the right.
2. Pull out the M.2 SATA Bridge Tray.
3. Remove the screws of the upper cover of the M.2 SATA Bridge.
4. Open the upper cover.
5. Insert M.2 and fix the screw.
6. Remove the paper from the heat sink in the upper cover and put the upper cover back.
7. Fix the screws.
8. Install the M.2 SATA Bridge tray back into the iR8023.
9. Install device into one of the CD-ROM bays with screws from the accessory kit. Then properly connect SATA cable and SATA power cable from your system to device.



NOTE RS232 Port: For industrial control system or IPC to monitor the hardware status. More information, please contact your sales window or supporting@raidon.com.tw

2

10. Power on your system after hardware installation is completed, and your operating system will automatically detect the hard drives from booting. Then follow the steps from your operating system to partition and format the drives when necessary, device will be ready to use once the format is completed.

LED Instruction

Status	Standalone HDD	RAID HDD	System Indication	Buzzer
No HDD	N/A	Red light always on	Purple light always on	ON
HDD Idle	Blue light always on	Blue light always on	Blue light always on	N/A
Access	Blue light flashing	Purple light flashing	Blue light always on	N/A
Rebuilding-Source	Blue light always on	Blue light always on	Blue light always on	N/A
Rebuilding-Target	Blue light always on	Red light flashing	Blue light always on	N/A
Fan Failure	Blue light always on	Blue light always on	Purple light always on	ON

Hard Disk Status on LCD Screen

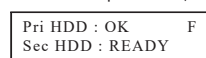
1. Booting and Normal status



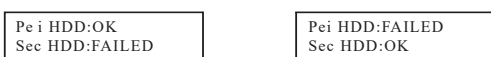
2. Fan Failure



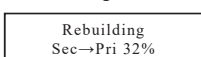
3. Over Temperature (≥50°C)



4. HDD Failure



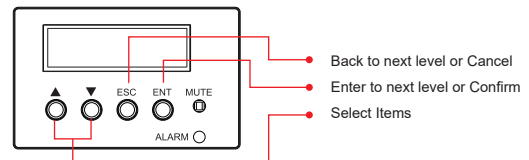
5. Rebuilding



When "T" is shown, it's an alert of system over heating, but it would still work fine. And as long as the ambient temperature is improved, system shuts off the alert.

3

Description of Front Panel Operation



Important Notice

1. Computers or servers must be with SATA I, SATA II, or SATA III interface.
2. Only support 2242/2260/2280 M.2 SATA SSD dimension.
3. The independent drive at the top cannot be set into RAID mode with primary or secondary drive. It is an independent drive.
4. You are strongly advised to set the storage mode before using your iR8023. (The default setting is the RAID 1.)
5. Once the drive mode configuration has been completed, re-configuration using the same hard drives to set the drive mode will result in complete data loss. If you must change the drive mode, make sure to backup all data prior to the mode change.
6. A reboot is required after adding or changing RAID mode to ensure that the update is completed to the new RAID mode.
7. iR8023 product allows user to simultaneously use the two different hard drives from two different manufacturers. However, if the user expects a better efficiency, we strongly recommend the user to use the two hard drives from the same manufacturer.
8. Please make sure that the two hard drives are free from bad blocks or defects prior to installation in order to avoid system crashes or data loss.
9. The actual storage capacity of iR8023 recognized by the system may differ from the total capacity stated on the hard drives combined once the drives have been formatted.
10. It is highly recommended for user to back up important data contained within the iR8023 unit on a regular basis or whenever the user feels necessary to a remote or a separate storage device. RAIDON will not be responsible for any lost of data caused during the use of the unit or the recovery of the data lost.

Thank you for choosing RAIDON's product.

The information provided in this manual was checked before publication, but the actual product specifications may have changed before shipping; Latest product specifications and updates can be found at www.RAIDON.com.tw or through your sales representative. No separate notifications will be provided by our company.

If you have any questions about RAIDON products or would like to receive the latest product information, instruction manuals, or firmware, please contact Supporting@raidon.com.tw for assistance.

RAIDON is one brand under RAIDON TECHNOLOGY, INC.

All product-related content in this manual are copyrighted by RAIDON TECHNOLOGY, INC.

4